

# Nonexplosiveoilfield Products

Global Sales & Service



## NeoQuickPlug-back Process

NeoQuickPlug-back Process is a thru-tubing electric line operation that allows operators to;

- go thru tubing and set a NeoQuickPlatform in casing,
- place NeoQuickPlug Epoxy System atop the platform, and
- pressure test 5 hours after the last dump bailer run.

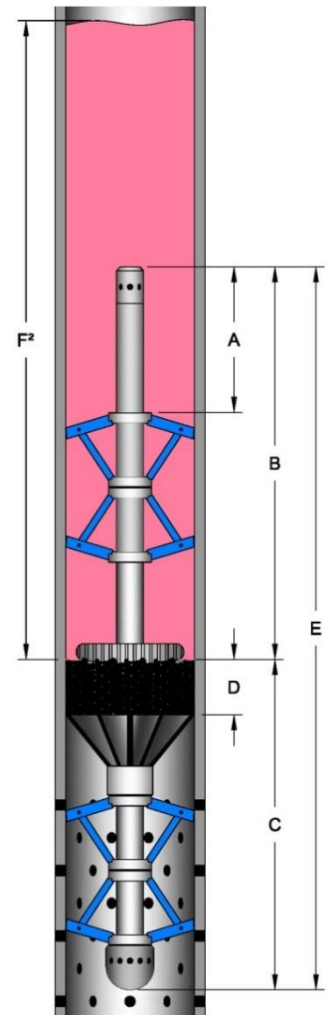
NeoQuickPlug-back Processes save customers time and money.

## Essential Process Components

NeoProducts' non-explosive deployment and dump bailing tools.

NeoQuickPlatform (shown on the right) is a built-for-purpose thru-tubing bridge plug. It serves as a "no-leak" platform for the NeoQuickPlug Epoxy System. See the table below for NeoQuickPlatform dimensions.

NeoQuickPlug Epoxy System is a quickset epoxy slurry that is placed atop the platform and hardens to become a high ΔP casing plug, refer to the accompanying NeoQuickPlug Epoxy System product bulletin.



## NeoQuickPlatform

Casing Size	P/N	Run-in Dia <sup>1</sup>	Min Run-Thru Dia <sup>1</sup>	Dimensions					
				A	B	C	D	E	*F <sup>2</sup>
4 ½"	E0173-450-700-001	1.63"	1.75"	15.00"	48.88"	34.50"	12.00"	83.38"	60.00"
5"									
5 ½"									
7"									
7 ⅝"	E0173-763-001	1.63"- 2.13"	1.75"- 2.19"	15.00"	50.88"	38.50"	16.00"	89.38"	66.00"
9 ⅝"	E0173-963-001								

Note 1 - 9 ⅝" NeoQuickPlatforms are available in 1.63"-2.13" Run-in Diameters and will pass thru 1.75" and 2.19" minimum restrictions, respectively.

\*F<sup>2</sup> = minimum recommended NeoQuickPlug length

# Nonexplosiveoilfield Products

*Global Sales & Service*



This page intentionally left blank. Please proceed to next page.

# Nonexplosiveoilfield Products

Global Sales & Service



## NeoQuickPlug® Epoxy System

Quickset Plug & Production Shutoff Agent

NeoQuickPlug is a quickset epoxy slurry system that can be pressure tested 5 hours after the last dump bailer placement. It bonds to casing, gravel pack sand and earthen formations. NeoQuickPlug also performs as a production shutoff agent. As a shutoff agent it flows into perforations, micro-fissures, micro-annuli and permeable earthen formations. It hardens to become an impermeable barrier. Production can be resumed with minimal lost time.

NeoQuickPlug is conveyed and placed via wireline, slickline, and coiled tubing.

### Applications

- Quick setting high shear bond plugging agent in casing and open hole.
- Shutoff unwanted production, such as;
  - flow from micro-fissures and behind pipe micro-annuli,
  - water production in open hole and gravel packed wells,
  - water coning from above and below oil producing zones,
  - gas coning from above and below oil producing zones, and
  - water and/or gas flow from middle of perf intervals • this is done in combination with a flow-thru NeoThru-Tubing Casing Packer.

### Benefits

- Minimum production downtime, reinstate production in shortest possible time.
- As shutoff agent;
  - Eliminates costs of processing and dispensing of unwanted water and gas production,
  - Water shutoffs are high success rate low-cost operations, especially when compared with rig workovers,
  - Water shutoffs frequently result in higher hydrocarbon production rates, and
  - Water shutoffs frequently result in higher overall reservoir recovery values.

### NeoQuickPlug® Epoxy System (P/N E0105-350-125)

- This product is available in 4-gallon kit form and includes two components;
  - a gray metal pail containing the epoxy blend, and
  - a gray plastic pail containing premeasured amounts of hardeners and adhesion promoters.
- Each kit yields a 4 gallon batch of 12 ppg NeoQuickPlug.
- Store in a climate controlled room with a temperature range of 32°F (0°C) to 80°F (27°C). Kits must not be stored outdoors in direct sunlight.
- Clean dump bailers with Adhesive Remover, followed by Degreaser, between runs to eliminate deleterious residues in the bailers from previous runs (provided in PPE and Clean-Up Kit, P/N 0175-099-097).
- NeoProducts is your best Technical Resource for thru-tubing plug-back support. Do not hesitate to contact NeoProducts.
- The shortest recommended NeoQuickPlug length is 5 feet.
- Differential Pressure Ratings Per Foot of NeoQuickPlug length are shown in Table 1, below:

# Nonexplosiveoilfield Products

Global Sales & Service



Table1

NeoQuickPlug® Differential Pressure Rating Per Foot of Plug Length ** (5 hrs cure time after last bailer run)	
Temperature Range 165° -235 ° F	
API Casing Size (in)	psid/ft of casing
2 3/8"	3,000
2 7/8"	2,500
3 1/2"	2,000
4"	1,850
4 1/2"	1,600
5"	1,450
5 1/2"	1,300
7"	1,000
7 3/8"	900
9 3/8"	750

\*\* The shortest recommended NeoQuickPlug length is 5 feet.

The plug length values shown above are valid for dumping in brine and similar wellbore fluids. Contact NeoProducts for differential pressure ratings in wellbore conditions containing crude oil, condensate, and/or natural gas.

Contact NeoProducts for more information about the NeoQuickPlug.